

REMstar[®]
Choice L

REMstar[®]
Choice LSS

REMstar[®]
Choice Expre.

Nasal CP AP Systems
User Instructions



RESPIRONICS, INC.[®]

1600 Murry Ridge Blvd.
Murrysville, Pennsylvania

15668-8550 U.S.A.

Telephone: 1-412-733-0200

Telefax: 1-412-733-0299

1-800-345-6443 (U.S. & CAN)

www.respironics.com

USER INSTRUCTIONS

For general information on sleep disorders contact:

**American Sleep Apnea Association
2025 Pennsylvania Ave. NW, Suite 905
Washington, D.C. 20006
Telephone: 1-202-293-3650**

**National Sleep Foundation
1367 Connecticut Ave. NW, Suite 200
Washington, D.C. 20036
Telephone: 1-202-785-2300**

REMstar Choice® Nasal CPAP Systems are the subject of U.S. Patent #5,239,995. Other patents pending. REMstar Choice is a registered trademark of Respiroics, Inc.

© Copyright 1991, Respiroics, Inc. All rights reserved.

**FOR A HANDY REFERENCE,
FILL IN THE INFORMATION BELOW.**

Type of CPAP Unit: ___ REMstar Choice
___ REMstar Choice LS
___ REMstar Choice Express

CPAP Pressure: _____ (cm H₂O)

RAMP Time: _____ (minutes)

Mask Size and Type: _____

Headgear Size and Type: _____

REMstar Choice Serial #: _____
(The serial number is located on the back of the unit.)

Date of Purchase or Rental: _____

If you have any questions concerning your REMstar
Choice Nasal CPAP System, contact:

Home Care Dealer: _____

Phone: _____

Address: _____

Physician: _____

Phone: _____

Your unit should be inspected and serviced each year.

Date of next inspection: _____

PRODUCT INFORMATION

REMstar Choice® Nasal CPAP Systems

Power Requirements: (The electrical installation of the relevant room must comply with IEC requirements.)

100-117 / 220-240 VAC, 50-60 Cycle,

12 - 24 VDC; Class II, Type B

Power Consumption: 125 VA max. (80 Watts max.)

Battery (optional remote control): 9-Volt Alkaline (6LR61)

Fuses:	<u>Unit voltage setting:</u>	<u>Fuse type:</u>
	115 VAC	800 mA, 5 x 20 mm T Type
	230 VAC	400 mA, 5 x 20 mm T Type

Note: Use ONLY Respironics fuses supplied by your home care dealer.

AGENCY COMPLIANCE

REMstar Choice is designed to comply with applicable radio frequency interference standards (RFI).

The REMstar Choice unit complies with the following agency standards:

- CSA (Canada) electromedical equipment standard C22.2 No.125.
- TÜV (Germany) medical equipment requirements.
- SEMKO (Sweden) medical equipment requirements. NOTE: Under the Copenhagen Agreement, DEMKO (Denmark), FEMKO (Finland), and NEMKO (Norway) are also recognized.
- City of Los Angeles electromedical equipment standard.

The REMstar Choice Nasal CPAP unit complies as double-insulated electromedical equipment, which means that it is designed to operate safely without a third wire ground connection in its power cord. The standard for Health Care Facilities, NFPA 99, states that such double-insulated appliances, with two-conductor cords, may be used in the vicinity of a health care facility's patients (see NFPA 99, paragraph 7-5.1.2.2).

SYMBOL KEY

 **AC Symbol**

 **DC Symbol**

 **Type B Symbol**

 **Fuse Symbol**

 **Class II Symbol**
(Double Insulation)

 **Warning Symbol**

 **ON/OFF Symbol**

TABLE OF CONTENTS

SYSTEM DESCRIPTION	6
CONTRAINDICATIONS	10
WARNINGS AND CAUTIONS	11
SET-UP AND USE	13
USING OXYGEN WITH THE SYSTEM	21
OPTIONAL ACCESSORIES	
DC Power Cord	22
Humidifier	23
Remote Control	23
Carrying Case	23
PREPARING YOUR SYSTEM FOR TRAVEL	24
MAINTENANCE	
Cleaning and Replacing the Filters	25
Changing the Fuses	28
Changing the Battery (optional remote control)	29
Cleaning the Unit and Remote Control	30
Servicing the Unit	31
Maintenance Record	31
COMMON PROBLEMS AND THEIR SOLUTIONS	32
TROUBLESHOOTING	36
LIMITED WARRANTY	39

SYSTEM DESCRIPTION

The REMstar Choice, REMstar Choice LS, and the REMstar Choice Express Systems are part of the Respiroics family of products for the treatment of Obstructive Sleep Apnea (OSA). Incorporating a sleek, contemporary appearance and state-of-the-art technological performance, the REMstar Choice Systems provide you with effective and convenient CPAP therapy.

REMstar Choice Systems offer several options in how CPAP therapy is delivered, so your treatment can be personalized depending on your needs.

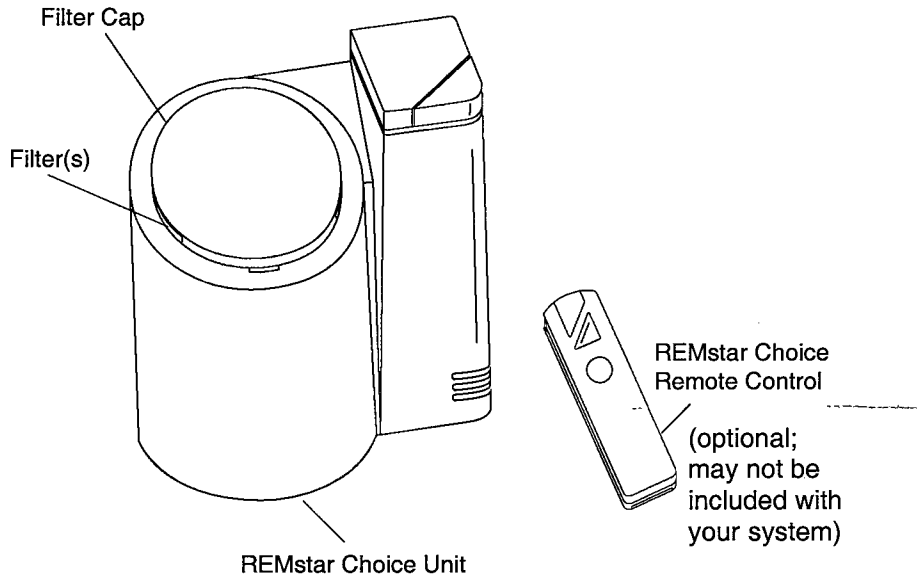
The ramp function enables the unit to begin delivering air to you at a low pressure when the ramp button is pressed. Over a pre-set time period, the air pressure gradually increases until your prescription pressure is reached. The low pressure should help you to fall asleep easier.

During your sleep study, the clinician determined the prescription pressure that you need, as well as the amount of time the unit should take to reach that pressure. You also have the option of not using the ramp feature at all.

REMstar Choice is the first home nasal CPAP system to offer a patient wireless remote control. You will find the remote control convenient if you choose to locate your unit away from your bedside. The remote control allows easy push-button control, so you can turn your unit on or off and activate the ramp function from a distance of up to 15 feet.

Many other options are available to make your OSA treatment with the REMstar Choice System as convenient and comfortable as possible, and to ensure that you receive the safe, effective therapy prescribed just for you.

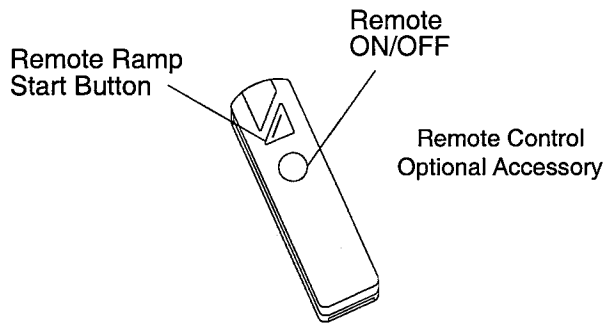
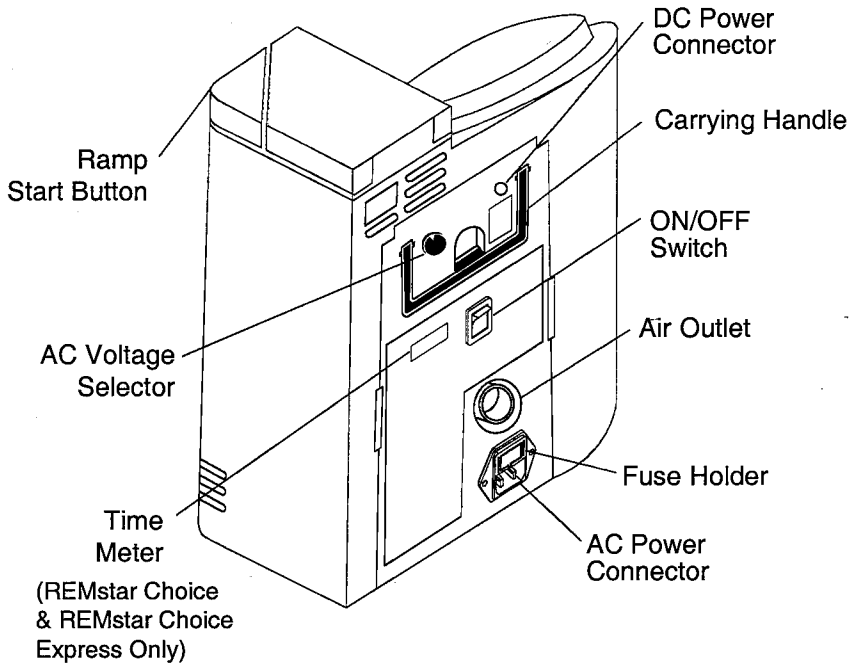
SYSTEM DESCRIPTION (continued)



FILTER CAP AND FILTERS The Filter Cap reduces noise for a more peaceful sleep. The cap should be kept on the unit at all times during operation. Under the Filter Cap is the gray pollen filter that screens out pollens and some household dust. This pollen filter is reusable and must be in place at all times when the unit is operating. Under the pollen filter is an **optional** ultra-fine filter. The ultra-fine filter improves filtration of pollens, dust, some tobacco smoke, and other small particles. You should use the ultra-fine filter with the pollen filter if you are sensitive to pollens, smoke, or other particles. *We have packaged the unit with the filter in place to show proper installation. However, use of this filter is optional.* The ultra-fine filter should never be used alone.

MEDICAL PRODUCT NOTE For ease at airport security stations, there is a note on the bottom of your unit stating that the REMstar Choice System is medical equipment.

SYSTEM DESCRIPTION (continued)



SYSTEM DESCRIPTION (continued)

DC POWER CONNECTOR Connect optional DC power cord here.

ON/OFF SWITCH Used to turn air flow on and off. Unit will turn ON automatically each time the power cord is connected.

AIR OUTLET Connect circuit tubing here.

FUSE HOLDER Holds AC fuses. Fuses must be changed if you change the voltage setting for travel.

AC POWER CONNECTOR Connect AC power cord here.

TIME METER Provides resolution to 1/10 hour. Operates only when the unit is running. (REMstar Choice & REMstar Choice Express Only)

AC VOLTAGE SELECTOR Used to select AC voltage (115V/230V). Appropriate voltage can be selected for worldwide use.

RAMP START BUTTON Used to activate the ramp (pressure delay) function. When activated, the pressure delivered will drop and then gradually increase to the prescribed pressure over a period of time. This will allow you to fall asleep at a lower, more comfortable pressure.

REMOTE ON/OFF Used to turn air flow on and off. (The Remote Control is an optional item.)

REMOTE RAMP START BUTTON Used to activate the ramp function. (The Remote Control is an optional accessory.)

POWER CORD Type H05VV-F. An international plug adapter may also be required to make your power cord compatible with the power outlets of the country you are in. Use only a Type H05VV-F (or higher grade) power cord.

CONTRAINDICATIONS

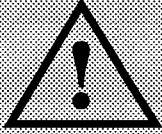
Studies have shown that the following pre-existing conditions may contraindicate the use of CPAP therapy for some patients:

- Bullous Lung Disease
- Pneumothorax
- Pneumocephalus has been reported in a patient using nasal Continuous Positive Airway Pressure. Caution should be used when prescribing CPAP for susceptible patients such as those with: CSF leaks, abnormalities of the cribriform plate, prior history of head trauma, and/or pneumocephalus. (*Chest 1989; 96:1425-1426*)

Should you have any of these conditions, your physician will determine if CPAP therapy is appropriate for you.

The use of CPAP therapy may be temporarily contraindicated if you exhibit the following condition:

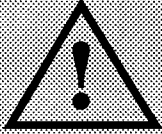
- Sinus or Middle Ear Infection



WARNINGS & CAUTIONS

Warning - Indicates the possibility for injury to the patient or the operator.

- This device is not intended for invasive application.
- This device is intended for adult use only.
- This device is not intended for life support.
- All patient settings must be determined via appropriate diagnostic testing and monitoring. These settings are only to be adjusted by authorized personnel in accordance with a physician's prescription.
- This manual serves as a reference. It should be used in conjunction with the instructions and protocol set by the physician and institution prescribing the device. The instructions in this manual are not intended to supersede established medical protocols.
- The Whisper Swivel® Exhalation Port is designed to exhaust CO₂ from the patient circuit. Continuous flow is required for safe operation. **DO NOT BLOCK OR OTHERWISE TRY TO SEAL THE VENT HOLES ON THE WHISPER SWIVEL.**
- In situations where risk of contamination between the patient and the unit is high (e.g., rental units, patients with respiratory infections), a low-resistance, main flow bacteria filter should be placed in-line between the unit and the patient circuit.



WARNINGS & CAUTIONS

- **Oxygen supports combustion. Oxygen should not be used while smoking or in the presence of an open flame.**
 - **Unit is powered when the cord is connected to the main supply. The switch enables/disables blower only.**
 - **To avoid electrical shock, unplug the unit before cleaning.**
 - **To avoid electrical shock, disconnect the electrical supply before changing the fuses.**
 - **For continued protection against risk of fire, replace fuses with those of the same type and rating only.**
-

Caution - Indicates the possibility of damage to the unit.

- **U.S. Federal law restricts the sale or the use of this device to be on the order of a licensed physician only.**
- **The unit must be positioned on its base for proper operation.**
- **The voltage selector switch must be set for proper line voltage (e.g. North America - 115V, Europe - 230V).**
- **Tobacco smoke will cause tar build-up that may result in the unit malfunctioning.**

SET-UP AND USE

To use the REMstar Choice System, you will need a Whisper Swivel® or NRV-2 non-rebreathing valve, headgear or Softcap™, and mask.

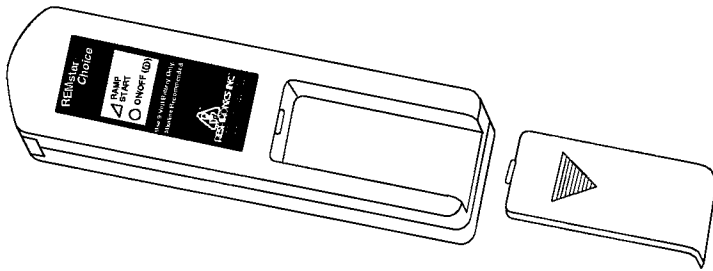
NOTE: The REMstar Choice System is designed to work with either the Whisper Swivel or the NRV-2 non-rebreathing valve. To determine which is best for you, consult your health care provider.



DO NOT use your REMstar Choice unit until your home care company adjusts the pressure and ramp settings as prescribed by your physician!

NOTE: Large altitude changes will affect the pressure being delivered from your unit. Contact your home care dealer if you relocate with elevation changes of 5,000 feet or more.

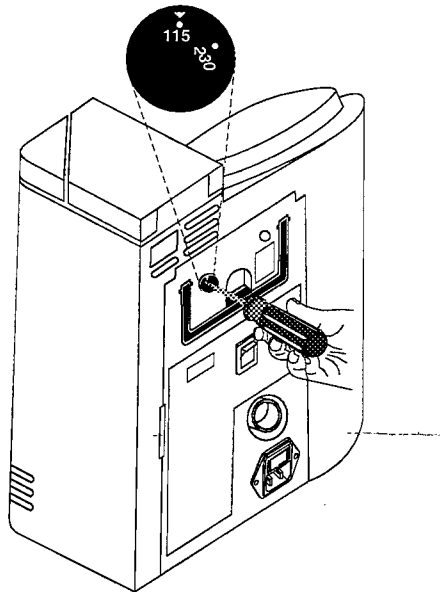
Step 1 (If included with your System) Slide open the battery compartment door on the back of the remote control and install the 9-volt alkaline (6LR61) battery. Slide the battery compartment door back into place.



SET-UP AND USE (continued)

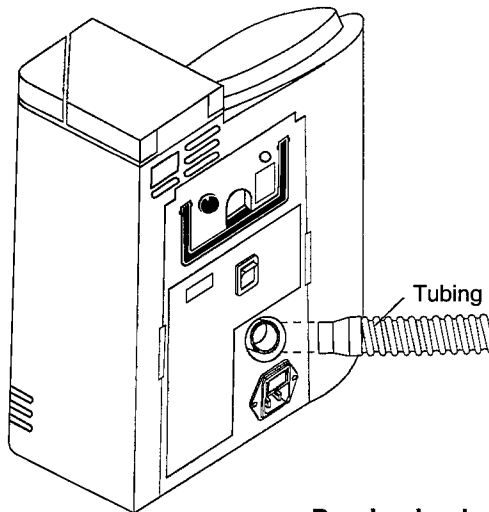
Step 2 Make sure the voltage selector switch on the back of the unit is set correctly. Use a standard flat-head screwdriver to change the voltage if necessary. (In the United States and Canada: 115V; In other countries: check the country's line voltage requirements for the correct setting.)

NOTE: If you change the voltage setting, the fuses must also be changed.



Step 3 Set the unit where it would be convenient. Connect one end of the circuit tubing to the air outlet on the back of the unit. If desired, you may add an additional length of tubing to the circuit, allowing up to a total length of 12 feet. This allows you to place the unit farther away from your bedside.

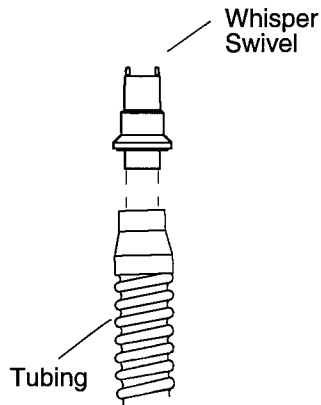
NOTE: If you are using a room humidifier, make sure that it is placed a minimum of six feet away from the unit.



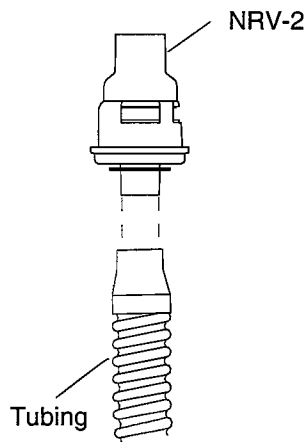
SET-UP AND USE (continued)

To connect the Whisper Swivel, follow directions in Step 4a. To connect the NRV-2, follow directions in Step 4b.

Step 4a Connect the remaining end of the tubing to the swivel end of the Whisper Swivel.



Step 4b Connect the remaining end of the tubing to the swivel end of the NRV-2.



SET-UP AND USE (continued)

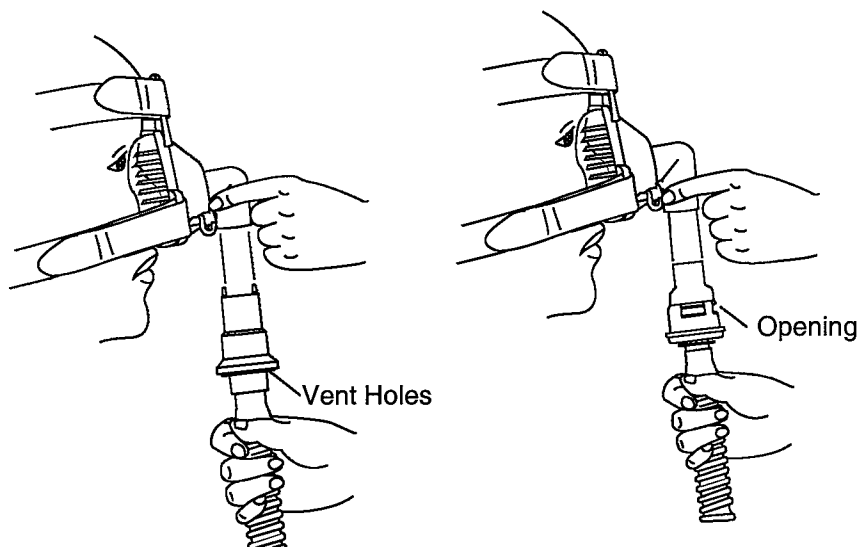
CAUTION: Do not block the filter cap openings on the front of the unit. Air must flow freely around the unit for the system to work properly.

Make sure that bedding, curtains, or other items are not blocking the filter cap openings or the slotted vents on the unit.

Step 5 Put on your mask and connect either the Whisper Swivel or the NRV-2 to the mask rotating connector. Make sure the white port caps on either side of the mask are tightly closed.

If you are using the Whisper Swivel, **DO NOT block or otherwise try to seal the vent holes on the Whisper Swivel.**

If you are using the **NRV-2**, make sure that the opening on the side of the valve is positioned away from your face.

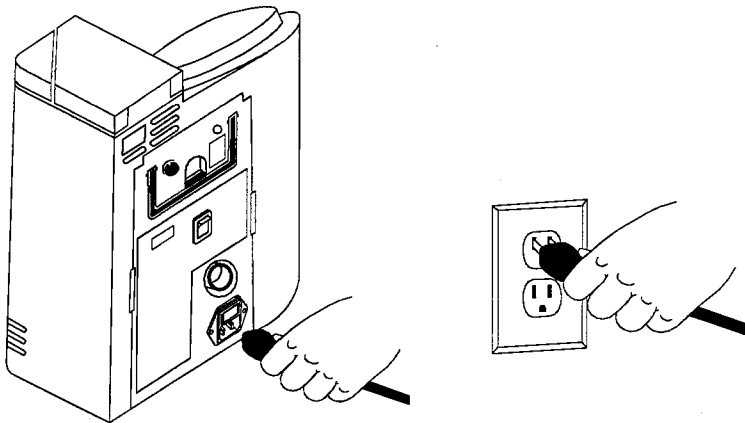


SET-UP AND USE (continued)

Step 6 Plug one end of the power cord into the back of the unit and the other into an electrical outlet. The unit will automatically turn ON.

NOTE: The electronic circuits used in REMstar Choice unit are set to turn the unit ON when power is supplied. This is to ensure you receive your CPAP therapy following a power outage during the night. If you experience repeated power outages during the daytime, you may want to unplug your unit during this time.

NOTE: An international plug adapter may also be required to make your power cord compatible with the power outlets of the country you are in. Use only a Type H05VV-F (or higher grade) power cord. Contact your home care dealer for additional information.



SET-UP AND USE (continued)

While lying down, make sure that no air is leaking out of your mask. If it is, readjust the Softcap or Headgear until the mask stops leaking. Overtightening the Headgear or Softcap may worsen leaks. Contact your homecare dealer if you experience excessive leaking at the mask, especially near the eye. If the pressure seems higher or lower than usual, contact your homecare dealer.

To turn the unit OFF, press the ON/OFF switch on the back of the unit.

NOTE: You can also use your REMstar Choice system in a recreational vehicle, boat or motor home with a 12-24 volt DC power source. Contact your home care dealer for additional information.

CAUTION: Do not attempt to use any system other than the DC Power Cord available from Respironics, Inc. through your home care dealer. Use of a different system may cause damage to your vehicle.

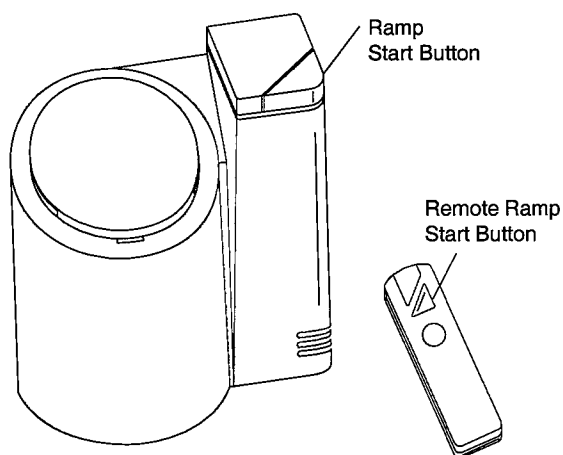
SET-UP AND USE (continued)

RAMP - The ramp feature on your REMstar Choice System allows you to reduce the air pressure at the beginning of the night to make it more comfortable for you to fall asleep.

The ramp time has been set by your home care dealer according to your physician's prescription.

Step 7 To activate the ramp function, depress the ramp start button on the top of the unit (or use the remote control's ramp start button.) The remote control has a small light near the front that will illuminate when the button is pushed.

You can activate the ramp as frequently as desired during the night.



NOTE: Use the ramp start button to drop the pressure so you can speak while wearing your mask.

SET-UP AND USE (continued)

NOTE: The unit can be placed up to two tubing lengths (12 ft.) away from you. For best results, position the unit so the front of the unit is facing toward you. If your system included the remote control, aim the remote control in the general direction of the unit. The remote control can also be aimed at the ceiling or walls and the signal will bounce from that surface to the unit.

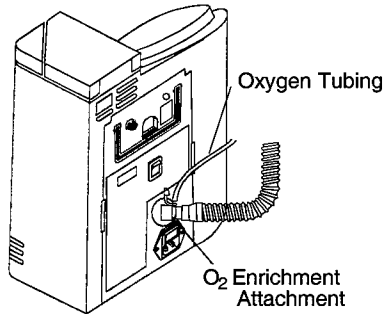
The patient circuit has several swivels to allow you to position the tubing so that it is comfortable for you. If the air flow feels cold, route the tubing under your bed covers to help warm the air.

Step 8 Relax. Keep your mouth closed and take slow relaxed breaths through your nose.

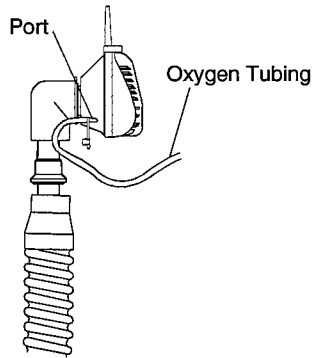
USING OXYGEN WITH THE SYSTEM

If your doctor has prescribed oxygen, there are two different methods for administering oxygen. The method you use should be the one recommended by your physician or home care dealer.

- (1) Place an oxygen enrichment attachment (Respironics' Part Number 312710) between the airflow outlet port on the unit and the tubing, or;



- (2) Attach oxygen tubing to one of the ports on the nasal mask.



WARNING: Oxygen supports combustion. Oxygen should not be used while smoking or in the presence of an open flame.

Several accessories are available for use with the REMstar systems. If they were not included with your system, they are available from your home care dealer.

DC POWER CORD

You can also use your REMstar Choice system in a recreational vehicle, boat or motor home with a 12-24 volt DC power source. Contact your home care dealer for additional information.

CAUTION: Do not attempt to use any system other than the DC Power Cord available from Respironics, Inc. Use of a different system may cause damage to your vehicle.

Instructions for DC power use are available with the appropriate Respironics DC power products when purchased.

"The REMstar CHOICE"

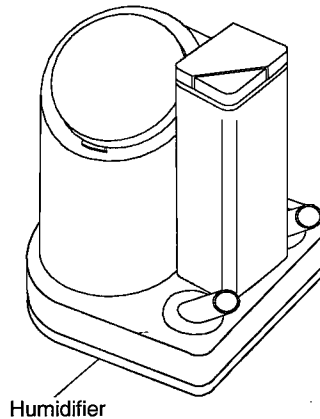
"The REMstar Choice Advantage" video, available from Respironics, details the use and care of the REMstar Choice unit. The video also includes information about optional accessories available to enhance the performance of your REMstar Choice unit.

OPTIONAL ACCESSORIES (continued)

HUMIDIFIER

An optional humidifier is available from Respironics. The humidifier adds moisture to the air flow making it more comfortable by reducing nasal dryness and irritation.

Contact your home care dealer for details and instructions.



REMOTE CONTROL

The remote control is an optional accessory for the REMstar Choice LS and REMstar Choice Express systems. The remote control makes it convenient for you to locate the REMstar unit away from your bedside. It provides easy push button control, so you can turn the unit on or off and activate the ramp function from a distance of 15 feet.

CARRYING CASE

The carrying case holds the unit and accessories. **When traveling by airplane, the carrying case is for carry-on luggage only.** Never check REMstar Choice through the baggage department.

PREPARING YOUR SYSTEM FOR TRAVEL

A carrying case can be purchased from your home care dealer to hold the unit and accessories. In addition, for ease at airport security stations, there is a note on the bottom of your unit stating that the REMstar Choice is medical equipment.

When traveling by airplane, the carrying case is for carry-on luggage only. Never check your REMstar Choice through the baggage department. Always use the carrying case for the unit's protection.

To Pack Your REMstar Choice System and Accessories:

Step 1 Place the unit in an upright position in the center of the carrying case.

Step 2 Place the accessories along the right side of the unit.

NOTE: If you are using a Respironics Humidifier, it can be placed along the left side of the unit with the two ports facing toward the unit.

If you are traveling to a country with a line voltage different than the one you are currently using, you must change the fuses in your unit and adjust the voltage selector switch accordingly.

CAUTION: Unplug the unit before changing the fuses.

Use only Respironics fuses supplied by your home care dealer.

Fuses:

<u>Unit voltage setting:</u>	<u>Fuse type:</u>
115 VAC	800 mA, 5 x 20 mm T Type
230 VAC	400 mA, 5 x 20 mm T Type

An international plug adapter may also be required to make your power cord compatible with the power outlets of the country you are in. Use only a Type H05VV-F (or higher grade) power cord. Contact your home care dealer for additional information.

MAINTENANCE

CLEANING AND REPLACING THE FILTERS:

Your REMstar Choice System comes with two different filters. The **gray pollen filter** is a coarse reusable filter that screens out pollens and some household dust. This filter should be cleaned at least once a month under normal usage and replaced with a new one every six months. **The gray pollen filter must be in place at all times when the unit is operating.**

The **white ultrafine filter, under the pollen filter,** increases filtration of pollens, dust, some tobacco smoke, and other small particles. The ultrafine filter is **optional** and can be used in addition to the pollen filter. **The ultrafine filter should never be used alone.** Replace the ultrafine filter after 30 nights of use or sooner if it appears dirty. Even if the filter does not appear dirty after 30 nights of use, it should be discarded and replaced. Most of the particles are trapped on the inside layers of the filter.

CAUTION: Failure to replace or clean a dirty filter may cause high operating temperatures of the unit and may impact unit performance.

MAINTENANCE (continued)

Step 1 Remove the filter cap by gently pulling up on one side of the cap.

Step 2 Change the filters.

Gray Pollen Filter:

- a. Remove the gray pollen filter by gently pulling around the edges of the filter. Rinse the filter in a steady stream of running water. Squeeze out the water and rinse again. Repeat several times. The filter may be air dried on a rack for 8 to 12 hours or in a clothes dryer on high for 15 to 20 minutes. If you are drying the filter with other articles, allow the filter to remain in the dryer throughout the entire drying cycle.

THE FILTER MUST BE COMPLETELY DRY BEFORE USE. NEVER PLACE A WET FILTER INTO YOUR UNIT. To check that your filter is completely dry, wrap a dry paper towel around the filter and pinch the filter and towel between your fingers. If the paper towel is at all wet, the filter is not yet ready for use. If the filter is more than six months old, discard and replace with a new one.

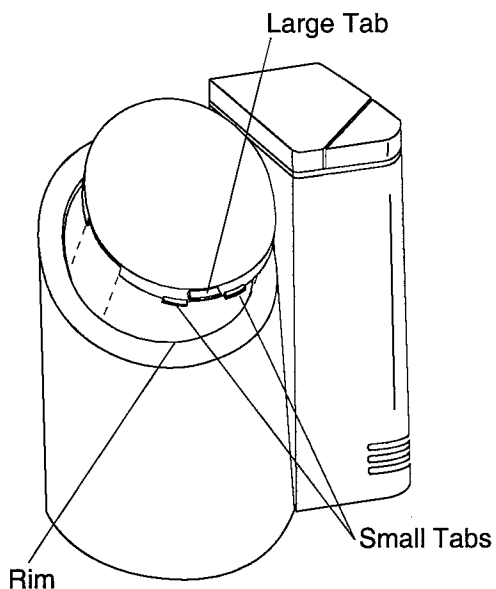
- b. To install, hold the dry filter with the notched edge facing down and gently tuck the filter's edges in under the lip of the unit.

MAINTENANCE (continued)

White Ultrafine Filter:

- a. Remove the gray pollen filter by gently pulling around the edges of the filter. Place the pollen filter aside.
- b. Remove the white ultrafine filter and discard. Replace with a new filter. Make sure the filter is lying flat.
- c. Hold the gray pollen filter with the notched edge facing down and gently tuck the filter's edges in under the lip of the unit.

Step 3 Replace the filter cap by inserting the four small inner tabs on the bottom of the cap, inside the bottom of the unit's rim. The large tab on the cap should be on the outside of the rim. Firmly press down on the top of the filter cap to snap the top tabs into place.



MAINTENANCE (continued)

CHANGING THE FUSES:

If the unit does not turn ON when the power cord is plugged in, the fuses may need to be replaced. The fuses will also need to be changed if the AC voltage selector is switched from 115 volts to 230 volts. The fuses are located in the back of the unit next to the electrical cord connector.

CAUTION: Unplug the unit before changing the fuses.

Step 1 Remove the fuse holder by releasing the small tabs on the sides of the holder. You may need a small screwdriver to help remove the holder.

Step 2 Replace the old fuses with new fuses of the same type and rating. Use only Respironics fuses supplied by your home care dealer. Always replace **both** fuses.

Unit voltage setting:

115 VAC

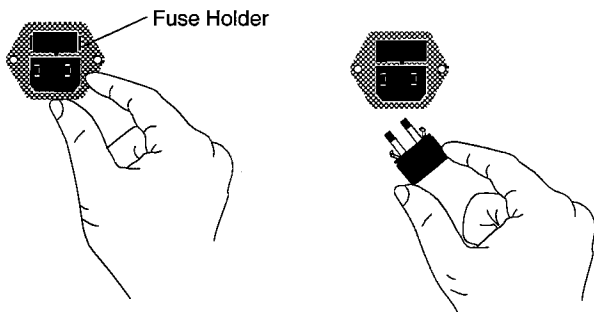
230 VAC

Fuse type:

800 mA, 5 x 20 mm T Type

400 mA, 5 x 20 mm T Type

Step 3 Insert the fuse holder back into the unit and snap into place.



MAINTENANCE (continued)

CLEANING THE UNIT AND REMOTE CONTROL:

CAUTION: Unplug the unit before cleaning it. Do not immerse the unit in water.

Step 1 Using a cloth slightly dampened with water and dish detergent, wipe the outside of the unit and remote control.

Step 2 Let the unit dry before plugging it in again.

MAINTENANCE (continued)

SERVICING THE UNIT:

Contact your home care dealer at least once each year to arrange for your unit to be tested. This check-up is necessary to assure the long life of your unit. It also allows for factory updates to be installed.

Your home care dealer should check:

1. The patient circuit condition and mask fit.
2. The pressure being delivered by the unit.

Maintenance Record

Date	Replaced Ultra-fine Filter	Replaced Mask	Replaced Headgear	Hours on Time Meter (REMstar Choice & REMstar Choice Express ONLY)	Checked CPAP Pressure (and Ramp if applicable)	Checked Fuses

COMMON PROBLEMS AND THEIR SOLUTIONS

The REMstar Choice system is designed to help you get a good night's sleep. However, once you've had a few nights of rest, you may need to make a few adjustments to your system to keep on sleeping well.

Problem	Possible Causes	Solutions
Sore or dry eyes	Mask not positioned properly. Softcap or headgear adjusted improperly	Reapply the mask and readjust the Softcap or headgear
	Mask size not appropriate	Contact your home care dealer to obtain the proper mask size.
Redness on the face where the mask contacts the skin	Irritation or allergic reaction to mask material	Use barrier between your skin and the mask, such as 3M's Microfoam™ tape, Squibb's Duoderm™ or Hollister's Restore™. Contact your home care dealer or physician if the problem persists.
Runny nose or congestion	Nasal reaction to air flow	If the ultra-fine filter is being used, check to see if replacement is necessary. A humidifier may be helpful. Contact your doctor for recommendation.

COMMON PROBLEMS AND THEIR SOLUTIONS

Problem	Possible Causes	Solutions
Cold nose	Room air temperature is too cold. Air cools while traveling through the tubing.	Reposition the tubing so that it runs under your bed covers to reduce heat loss.
Dryness or burning sensation in throat or nose	Air is too dry. The relative humidity is less than 40%	<p>Ask your doctor or home care dealer about increasing the room humidity (or moisture in the air). Consult with your doctor or home care dealer about using a Respironics Humidifier with your unit.</p> <p>Make sure that you are keeping your mouth closed and take slow relaxed breaths through your nose. A chin strap or Spectrum Full Face Mask may be helpful. Consult your doctor or homecare dealer.</p>
Nasal, sinus, or ear pain	Sinus infection or middle ear infection	Stop using the unit and contact your doctor.
Feelings of discomfort from the sensation of too much pressure	CPAP pressures above 12.5 cm H ₂ O may cause feelings of discomfort but are necessary to relieve sleep apneas.	It may take you up to four weeks to adjust to the system. Try to relax when using it. Take slow deep breaths through your nose with your mouth closed. A Ramp may be helpful while trying to fall asleep. If you still have trouble, contact your doctor or home care dealer.

COMMON PROBLEMS AND THEIR SOLUTIONS

Problem	Possible Causes	Solutions
Signs and symptoms of obstructive sleep apnea recur (daytime sleepiness or fatigue, snoring, pauses in breathing, etc.)	Your pressure requirements may have changed.	Contact your doctor. Have your home care dealer check that your unit is working properly.
	Your unit pressure may have changed.	
Pressure delivered seems significantly lower or higher than usual	Possible unit malfunction	Contact your home care dealer immediately.
Air from the unit seems warm	The filter(s) may be dirty.	Replace or clean the filter (s).
	The filter or slotted vents on the front and back of the unit may be blocked by bedding, curtains, etc.	Move the unit away from bedding or curtains that could block the flow of air around the unit.
	The room temperature is too warm.	Turn down the thermostat at night. Add a second length of tubing to the circuit to allow the air to cool. Place the unit on the floor where the air may be cooler.

COMMON PROBLEMS AND THEIR SOLUTIONS

Problem	Possible Causes	Solutions
Air blows in your face	The open side of the Whisper Swivel or NRV-2 is positioned wrong.	Turn the closed side of the Whisper Swivel or NRV-2 toward your face.
The REMstar is making a faint humming sound when the air flow is turned off.	This is a normal characteristic of the REMstar.	
The noise level of the REMstar has changed to include unusual or harsh sounds during operation.	Possible unit malfunction	Contact your home care provider or Respironics, Inc. for directions on having the REMstar serviced. Please have the REMstar's serial number ready when you call.

TROUBLESHOOTING

The table below lists common problems you may have with your unit and possible solutions to those problems. If none of the corrective actions listed seem to work, contact your home care dealer.

Problem	Possible Causes	Corrective Action
Unit does not turn ON	Power cord not firmly connected to the unit or the outlet	Verify proper electrical connections.
	Unit not connected to a "live" outlet	Check to be sure that the unit is plugged into a "live" outlet (e.g., plug a working lamp into the outlet).
	Unit fuse has blown out	Replace the fuses with the same fuse type. Verify that the voltage selector switch setting is not set too low (i.e., your electrical line is 230V but your switch is set on 115V). If the new fuses blow out, contact your home care dealer.
	DC battery voltage fell below 10.5 volts	Recharge or replace battery.
Unit stops and starts	Power cord not completely connected to the unit or the outlet	Verify that the power cord is completely connected at the rear of the unit and at the outlet.

TROUBLESHOOTING

Problem	Possible Causes	Corrective Action
No air comes out of unit when power is connected	Voltage selector switch is set incorrectly	Verify that the voltage selector switch setting is not set too high (i.e., your electrical line is 115V but your switch is set on 230V).
	Possible internal problem	Contact your home care dealer. Obtain a replacement unit.
Unit does not ramp	Your health care provider determined that ramp is not right for you.	Contact your health care provider.
Remote control does not function	Low battery	Replace battery.
	Unit cannot receive the remote signal.	Change location/position of unit or remote control.
Remote control signal light is not illuminating when button is pressed	Low battery	Replace battery.

LIMITED WARRANTY

Respironics, Inc.[®] warrants that the REMstar Choice[®] Flow Generator shall be free from defects of workmanship and materials and will perform in accordance with the product specifications for a period of two (2) years from the date of sale by Respironics, Inc. to the dealer. If the product fails to perform in accordance with the product specifications, Respironics, Inc. will repair or replace, at its option, the defective material or part. Respironics, Inc. will pay customary freight charges from Respironics, Inc. to the dealer location only. This warranty does not cover damage caused by accident, misuse, abuse, alteration and other defects not related to material or workmanship.

RESPIRONICS, INC. DISCLAIMS ALL LIABILITY FOR ECONOMIC LOSS, LOSS OF PROFITS, OVERHEAD OR CONSEQUENTIAL DAMAGES WHICH MAY BE CLAIMED TO ARISE FROM ANY SALE OR USE OF THIS PRODUCT. SOME STATES DO NOT ALLOW THE EXCLUSION OR LIMITATION OF INCIDENTAL OR CONSEQUENTIAL DAMAGES, SO THE ABOVE LIMITATION OR EXCLUSION MAY NOT APPLY TO YOU.

THIS WARRANTY IS GIVEN IN LIEU OF ALL OTHER EXPRESS WARRANTIES. IN ADDITION, ANY IMPLIED WARRANTIES, INCLUDING ANY WARRANTY OF MERCHANTABILITY OR FITNESS FOR THE PARTICULAR PURPOSE ARE LIMITED TO ONE YEAR. SOME STATES DO NOT ALLOW LIMITATIONS ON HOW LONG AN IMPLIED WARRANTY LASTS, SO THE ABOVE LIMITATION MAY NOT APPLY TO YOU. THIS WARRANTY GIVES YOU SPECIFIC LEGAL RIGHTS, AND YOU MAY ALSO HAVE OTHER RIGHTS WHICH VARY FROM STATE TO STATE.

To exercise your rights under this warranty, contact your local, authorized Respironics, Inc. dealer or Respironics, Inc. at 1001 Murry Ridge Drive, Murrysville, Pennsylvania 15668-8550 (412/733-0200).

LIMITED WARRANTY

A warranty/comment card should be included with this manual for your completion. If it is not, contact Respiroics' Warranty Administrator at 1-800-666-2901 or 1-412-733-0200 to register your equipment and receive a FREE package of six (6) ultra-fine filters.

The REMstar Choice unit carries a two year warranty. See the previous page for details. You can extend this warranty period to three years for \$39.95. See the warranty/comment card for details or call Respiroics' Warranty Administrator.

506018
JM 2/10/97

© Copyright 1991, Respiroics, Inc. All rights reserved.

REMstar® TWO-YEAR WARRANTY

Please fill out this warranty/comment card and return it in the attached envelope.

Upon receipt of this card, your two (2) year warranty will become active. This information will be kept confidential by Respironics, Inc. Your comments are important to us, and in appreciation for returning this card, a FREE package of six (6) REMstar ultrafine filters will be mailed to you.

WARRANTY INFORMATION:

Your Name _____ Serial # _____ Model # _____
Address _____ Date of Purchase _____
City _____ State _____ Home Care Company _____
Zip _____ Phone No. () _____ City/State _____
OPTIONAL: Male Female Age: Under 20 20-29 30-39 40-49 50 and over
Comments: _____

See other side for extended warranty information.

• OPTIONAL EXTENDED WARRANTY •

Extend your warranty to **THREE** years at a cost of only \$39.95. Complete all of the information on both sides of this card, and return this card in the attached envelope within 90 days of purchase, or call Respironics Warranty Administrator at 1-800-666-2901. As a bonus, when you purchase the extended warranty, we will send you an additional package of FREE ultrafine filters (total of 12 filters).

YES, I want to extend my warranty period from two years to three years.

METHOD OF PAYMENT

Check or Money Order Enclosed

Please make check or money order payable to Respironics, Inc.

Mail this card and payment of U.S. \$39.95 to Respironics, Inc. in the attached, self-addressed envelope.

Charge \$39.95 to my Visa or MasterCard Account

Card Number _____

Signature _____

Exp. Date _____

POSTAGE
REQUIRED

RESPIRONICS INC.®
P.O. BOX #640292
PITTSBURGH PA 15264-0292

An application to join the American Sleep Apnea Association should be attached here.
If it is not, you can contact the American Sleep Apnea Association at 1-202-293-3650.

Name _____ Phone No. () _____

Address _____ City _____ State _____ Zip _____

Please check: \$1000 \$500 \$250 \$100 \$50 \$25 annual membership*

All memberships include a one year subscription to the newsletter. Membership and contributions are deductible for income tax purposes within IRS rules. **Membership includes a free medical alert necklace or bracelet.**

I would like to become a member of the ASAA.

Please send me a free medical alert _____ bracelet or _____ necklace.

I am undecided, but please send me a free copy of the newsletter.

I would like to know if there is an A.W.A.K.E. group near me.

PLEASE SEND TO:

**American Sleep Apnea Association
2025 Pennsylvania Ave N.W., Suite 905, Washington D.C. 20006**



Respironics, Inc. provided a grant to and is recognized as a founding sponsor of the American Sleep Apnea Association. As a non-profit organization, the American Sleep Apnea Association does not endorse or recommend any company or product.

*For addresses outside the United States, the minimum contribution is U.S. \$50.00.

Join the American Sleep Apnea Association



As a member of the American Sleep Apnea Association, you will receive a newsletter, WAKE-UP CALL, six times each year. This newsletter will inform you about the latest in medical advances, new technology, human interest stories of individual accomplishment, home care tips, and legislative affairs. Also, you will receive a medical alert identification bracelet.

You are also invited to participate in the A.W.A.K.E. (Alert, Well And Keeping Energetic) Network, which is a nationwide system of local mutual help/support groups. A.W.A.K.E. meetings provide the opportunity to share information and support with others who have been affected by sleep apnea.



To reduce disability and death from Sleep Apnea and other breathing disorders during sleep.



To improve the clinical care of Sleep Apnea by educating the public and medical profession about the disorder.



To provide Sleep Apnea sufferers with information about new advances in the treatment of Sleep Apnea.



To establish and nurture mutual help/support groups for apnea sufferers and their families.



To raise money for and to sponsor research on the causes and treatment of Sleep Apnea.