



Precision Medical



Model:
PM60-3HG
(shown)

EasyVac

ASPIRATOR

R_x
ONLY



RECEIVING/INSPECTION

Remove the Precision Medical, Inc. Easy Vac Aspirator from packaging and inspect for damage. If there is any damage, DO NOT USE and contact your Provider.

INTENDED USE

To supply a continuous vacuum source adequate within the stated operating vacuum range, to aspirate fluids in medical suctioning procedures by trained healthcare professionals.

READ ALL INSTRUCTIONS BEFORE USING

This manual instructs a Professional to install and operate the Easy Vac Aspirator. This is provided for your safety and to prevent damage to the Easy Vac Aspirator. If you do not understand this manual, DO NOT USE the Easy Vac Aspirator and contact your Provider.

EXPLANATION OF ABBREVIATIONS

inHg

Inches of Mercury

mmHg

Millimeters of Mercury

DANGER

Indicates an imminently hazardous situation which, if not avoided, will result in death or serious injury.

WARNING

Indicates a potentially hazardous situation which, if not avoided, could result in death or serious injury.

CAUTION

Indicates a potentially hazardous situation which, if not avoided, may result in minor or moderate injury.

CAUTION

Used without the safety alert symbol indicates a potentially hazardous situation which, if not avoided, may result in property damage.



Type BF equipment



Class II
with respect to protection from electrical shock

DANGER

To reduce the risk of **Electrocution**:

Always unplug the Easy Vac Aspirator immediately after using.

DO NOT use while bathing.

DO NOT place or store Aspirator where it can fall or be pulled into a tub or sink.

DO NOT place or drop into water or other liquid.

DO NOT reach for a Aspirator that has fallen into water. Unplug immediately.

DO NOT attempt to repair Aspirator. Any attempt could result in electrical shock.

DO NOT use near any type of flame or flammable/explosive substances.

DO NOT allow Aspirator to exceed Operating or Storage Temperature specifications.

Caution must be exercised when using this Aspirator where oxygen is being administered.

The Easy Vac Aspirator is not suitable for use in the presence of a flammable anesthetic mixture with air, oxygen or nitrous oxide.

WARNING

To reduce risk of **burns, electrocution, fire, or injury to persons**:

The Easy Vac Aspirator should never be left unattended when running.

Close supervision is necessary when the Aspirator is used by, on, or near children or invalids.

Use the Easy Vac Aspirator only for its "Intended Use" as described in this manual.

DO NOT use attachments not recommended by the Precision Medical, Inc.

DO NOT use when sleepy or drowsy.

DO NOT use if Easy Vac Aspirator has a damaged cord or plug.

DO NOT use if Easy Vac Aspirator has been dropped or damaged.

DO NOT cover air vents. Restriction of air flow will cause Aspirator to overheat, causing the thermal reset to shut down the Aspirator.

DO NOT drop or insert any object into any opening or hole.

Keep the cord away from heated surfaces.

SPECIFICATIONS

Operating Vacuum Range:	0-25 inHg	(0-635 mmHg)
--------------------------------	-----------	--------------

Dimensions:

Length:	13.25 in	(33.7 cm)
---------	----------	-----------

Width:	8.00 in	(20.3 cm)
--------	---------	-----------

Height:	9.75 in	(24.8 cm)
---------	---------	-----------

Weight:	11.4 lbs	(5.2 kg)
----------------	----------	----------

Shipping Weight:	13.7 lbs	(6.2 kg)
-------------------------	----------	----------

Electrical:	108-132 VAC, 60 Hz, 5 Amps	
--------------------	----------------------------	--

Operating Temperature Range:	50°F to 104°F (10°C to 40°C)	
-------------------------------------	------------------------------	--

Storage Temperature Range:	-4°F to 104°F (-20°C to 40°C) Max 95% Noncondensing	
-----------------------------------	--	--

Filter:	Inline, Hydrophobic	
----------------	---------------------	--

Safety Systems:	Automatic Resetting Thermal Limit Switch	
------------------------	--	--

Noise Level:	69db @1 meter	
---------------------	---------------	--

Equipment Classification:

Class II	with respect to protection from electrical shock
----------	--

Type BF	degree of protection against electrical shock
---------	---

IPX0	degree of protection against ingress of liquids
------	---

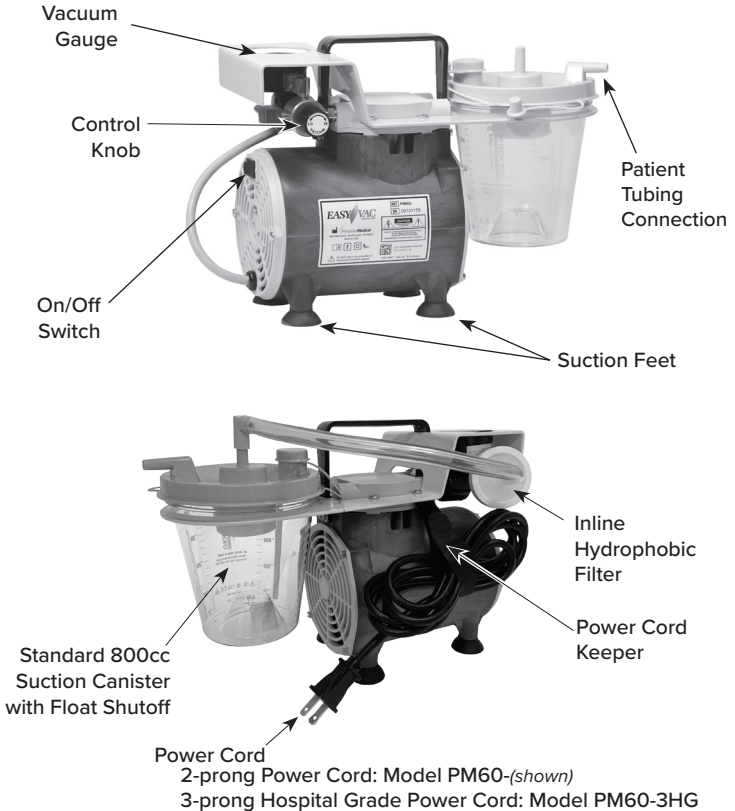
Mode of Operation	continuous
-------------------	------------

Specifications are subject to change without prior notice

COMPONENT DESCRIPTION

CAUTION

If for any reason any label becomes illegible or lost, contact Precision Medical, Inc.



OPERATING INSTRUCTIONS

CAUTION

Inspect the Easy Vac Aspirator for visual damage, **DO NOT USE** if damaged.

1. Place Easy Vac Aspirator near electrical receptacle on a table, floor or other horizontal, smooth, hard surface.
Allow a minimum of 4 in. (10 cm) clearance on all sides to ensure adequate air flow for cooling of Aspirator.
2. Press down on Aspirator until Suction Feet are secure.
3. Be sure the On/Off Switch is in the “OFF” position.
4. Be sure the Inline Hydrophobic Filter is properly connected to the vacuum port on the Suction Canister lid.
The Inline Hydrophobic Filter prevents liquid from entering the vacuum pump.

CAUTION

DO NOT run the Easy Vac Aspirator without Inline Hydrophobic Filter. This will void the warranty.

5. Plug the Aspirator into receptacle.
6. Turn the On/Off Switch to the “ON” position.
7. Block the patient connection on the Suction Canister and adjust the Vacuum Control Knob to the desired vacuum.
To INCREASE vacuum - Turn knob **CLOCKWISE**
To DECREASE vacuum - Turn knob **COUNTERCLOCKWISE**
Vacuum should be set as prescribed by Provider.

8. Connect one end of the Patient Suction Tubing to the port on the Canister marked Patient Tubing.
9. Connect the other end of the Patient Suction Tubing to the suction catheter and begin procedure as instructed by Provider.
10. When procedure is completed, press the On/Off Switch to the “OFF” position.
DO NOT overfill the canister
11. Empty the Suction Canister as follows:
Remove the canister from its bracket and empty as described by your Healthcare Professional or Healthcare Facility protocol.

CAUTION
Canister is for single patient use only.

12. Replace Suction Canister and reconnect all suctioning tubing.

CLEANING / MAINTENANCE

WARNING

Turn the Easy Vac Aspirator off and disconnect from any external power source before cleaning.

Inline Hydrophobic Filter:

This filter cannot be cleaned. If it becomes contaminated or clogged, it must be replaced.

To replace Inline Hydrophobic Filter:

1. Disconnect filter assembly from Suction Canister and remove Suction Canister from the Aspirator.
2. Remove filter assembly from the Aspirator.
3. Dispose of filter.
4. Install new filter (Part #1690) and reconnect tubing and elbow.
Tubing is single patient use only. DO NOT clean.

Cleaning for Exterior Components:

1. Disconnect the Aspirator from power source and other connections before cleaning.
2. Use a cloth or sponge dampened with soap and water.
3. Wipe dry with a clean cloth or paper towel.
4. Store the Aspirator in a clean area free from grease, oil, and other sources of contamination.

RETURNS

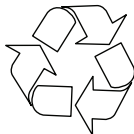
Returned products require a Returned Goods Authorization (RGA) number, contact Precision Medical, Inc. All returns must be packaged in sealed containers to prevent damage. Precision Medical, Inc. will not be responsible for goods damaged in transit. Refer to Precision Medical, Inc. Return Policy available on the Internet; www.precisionmedical.com.

Manuals available on our website: www.precisionmedical.com

DISPOSAL INSTRUCTIONS

Dispose of Bio-waste products as described by your Healthcare Professional or Healthcare Facility protocol.

Please Recycle



⚠️ WARNING

If Aspirator is used for treatment of infectious disease, consult your Physician or Healthcare Professional for recommended procedures for proper disposal.

REPLACEMENT PARTS

Description	Part #
Patient Suction Tubing	1955
Filter, Hydrophobic	1690
Filter Assembly (<i>with tube & elbow</i>)	502012
Elbow Canister Outlet	1616
800cc Canister, (<i>Case-10 ea.</i>)	502519-10

TROUBLESHOOTING

If the Easy Vac Aspirator fails to function, consult the Troubleshooting Guide below. If the problem cannot be corrected, consult your Provider.

Problem	Probable Cause	Remedy
Aspirator will not operate	<ol style="list-style-type: none">1. On/Off switch in "OFF" position2. Power Cord not connected properly3. Thermal limit exceeded	<ol style="list-style-type: none">1. Push On/Off switch to "ON" position2. Check plug at outlet3. Shut Aspirator off, wait 15 minutes; be sure vents are clear
NO vacuum on gauge / NO vacuum at Patient Connection Tubing	<ol style="list-style-type: none">1. Hydrophobic Filter not connected properly2. Suction Canister not connected or assembled properly3. Defective Suction Canister4. Defective Regulator	<ol style="list-style-type: none">1. Confirm and tighten connections2. Confirm and tighten3. Replace Suction Canister4. Contact your Provider
NO vacuum on gauge / vacuum at Patient Connection Tubing	<ol style="list-style-type: none">1. Defective vacuum gauge	<ol style="list-style-type: none">1. Contact your Provider
Vacuum on gauge / NO vacuum at Patient Suction Tubing	<ol style="list-style-type: none">1. Clogged Hydrophobic filter2. Canister overfilled	<ol style="list-style-type: none">1. Replace Hydrophobic filter2. Empty canister
Unable to adjust vacuum	<ol style="list-style-type: none">1. Defective regulator	<ol style="list-style-type: none">1. Contact your Provider

LIMITED WARRANTY AND LIMITATION OF LIABILITY

Precision Medical, Inc. warrants that EASY VAC Aspirator (the Product) will be free of defects in workmanship and/or material for the following period:

Five (5) years from shipment

Should any failure to conform to this warranty appear within the applicable period, Precision Medical, Inc. shall, upon written notification thereof and substantiation that the goods have been stored, installed, maintained and operated in accordance with Precision Medical, Inc.'s instructions and standard industry practice, and that no modifications, substitutions, or alterations have been made to the goods, correct such defect by suitable repair or replacement at its own expense.

ORAL STATEMENTS DO NOT CONSTITUTE WARRANTIES.

The representatives of Precision Medical, Inc. or any retailers are not authorized to make oral warranties about the merchandise described in this contract, and any such statements shall not be relied upon and are not part of the contract for sale. Thus, this writing is a final, complete and exclusive statement of the terms of that contract.

THIS WARRANTY IS EXCLUSIVE AND IS IN LIEU OF ANY WARRANTY OF MERCHANTABILITY, FITNESS FOR A PARTICULAR PURPOSE OR OTHER WARRANTY OF QUALITY, WHETHER EXPRESS OR IMPLIED.

Precision Medical, Inc. shall not under any circumstances be liable for special, incidental or consequential damages including but not limited to lost profits, lost sales, or injury to person or property. Correction of non-conformities as provided above shall constitute fulfillment of all liabilities of Precision Medical, Inc. whether based on contract, negligence, strict tort or otherwise. Precision Medical, Inc. reserves the right to discontinue manufacture of any product or change product materials, designs, or specifications without notice.

Precision Medical, Inc. reserves the right to correct clerical or typographical errors without penalty.



PrecisionMedical



300 Held Drive

Northampton PA 18067, USA

www.precisionmedical.com

T: (+001) 610-262-6090 • F: (+001) 610-262-6080

ISO 13485 Certified

Tell us how we are doing!

www.precisionmedical.com